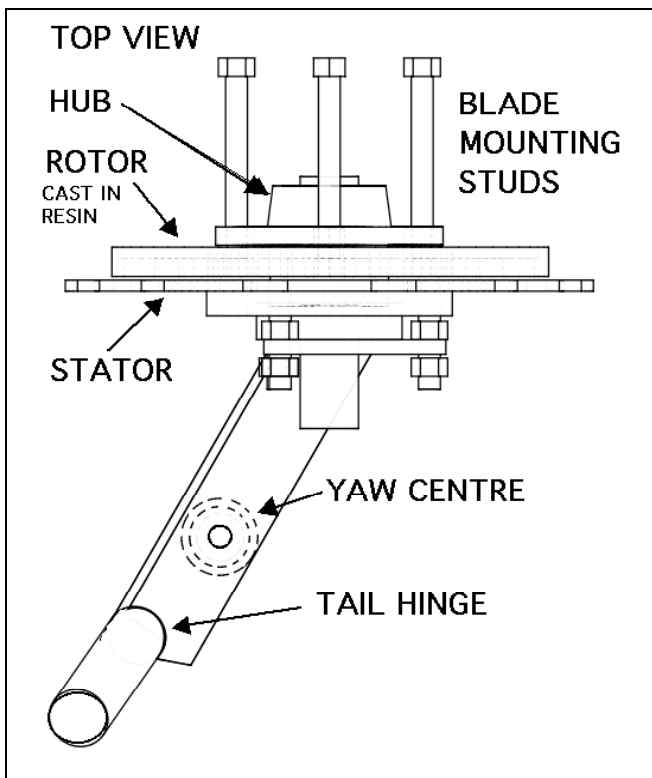
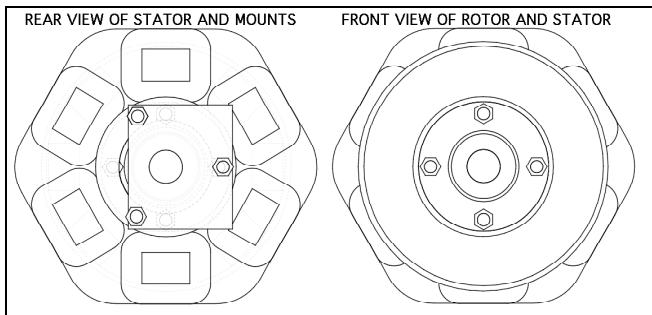
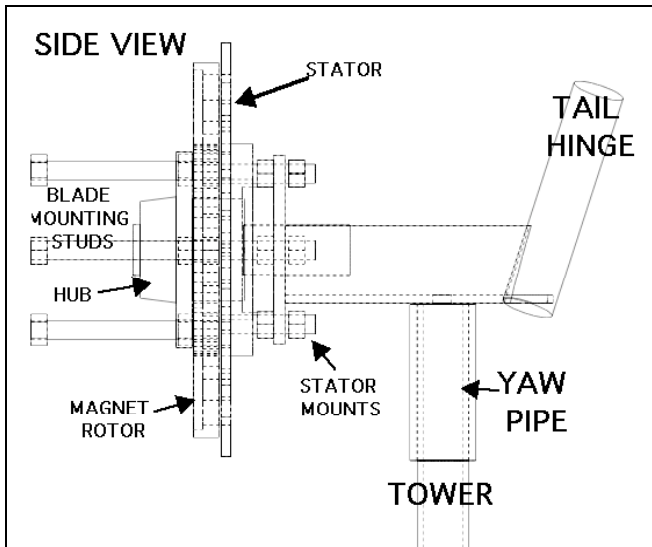
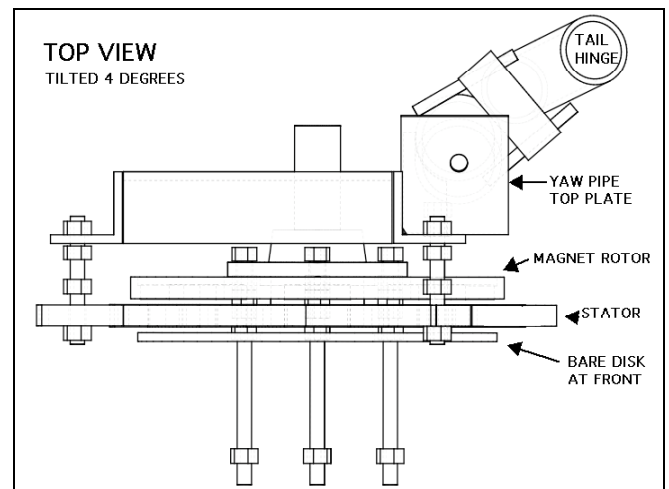
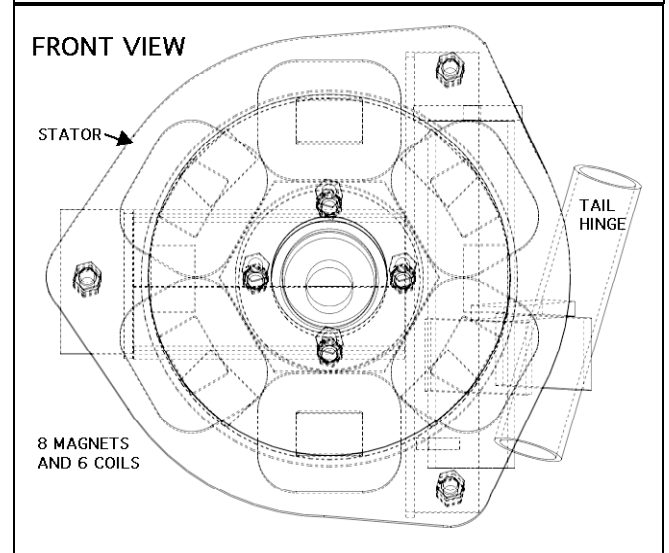
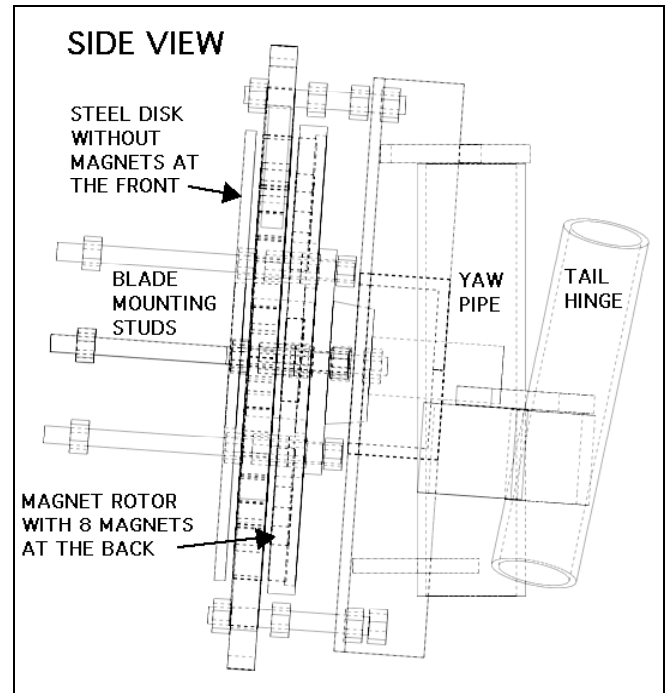


Views of the turbine head

1200 TURBINE

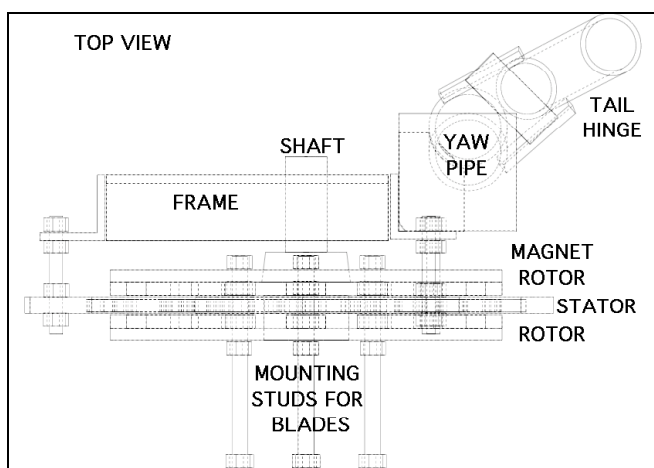
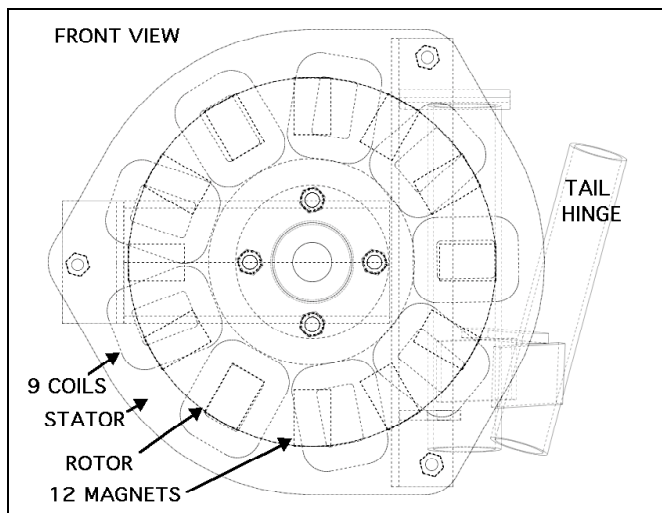
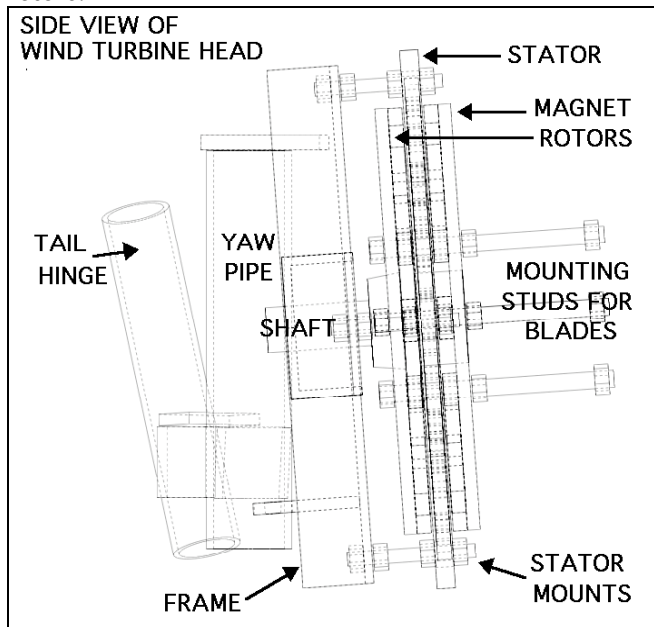


1800 TURBINE



2400 and 3000 turbines

These views do not show the resin on the magnet rotors.



3600 and 4200 turbines

